

0161 SERIES



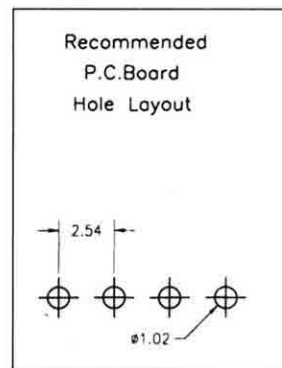
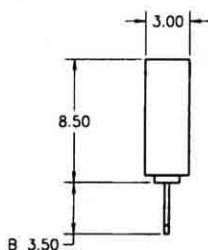
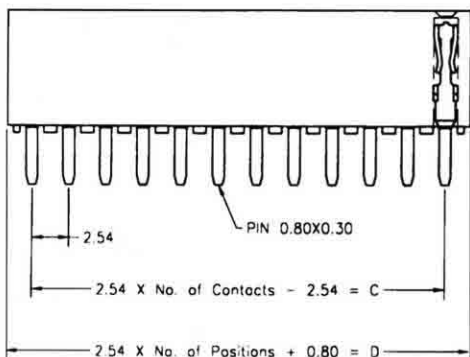
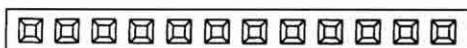
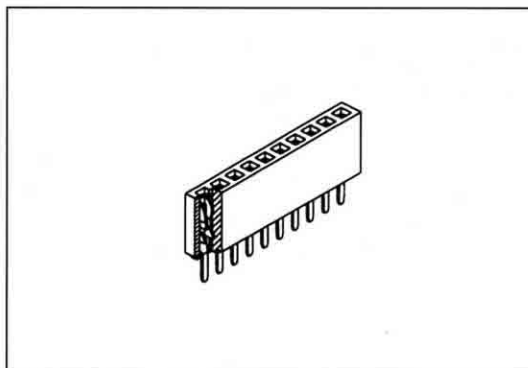
Pitch: 2.54mm(0.1"), Female Header, Single Row, DIP

Specifications

Current Rating: 3 Amp
 Insulation Resistance: 500 MΩ Min.
 Dielectric Withstanding: 600 VAC
 Contact Resistance: 20 mΩ Max.
 Operating Temperature: -40°C to +105°C

Materials

Contact Material: Copper Alloy
 Contact Plating: Gold/Tin over Nickel
 Insulator: Glass Filled Polyester(UL 94V-0)



No. of Pins/Row	Dimension Information		No. of Pins/Row	Dimension Information		No. of Pins/Row	Dimension Information		No. of Pins/Row	Dimension Information	
	C	D		C	D		C	D		C	D
02	2.54	5.88	13	30.48	33.82	24	58.42	61.76	35	86.36	89.70
03	5.08	8.42	14	33.02	36.36	25	60.96	64.30	36	88.90	92.24
04	7.62	10.96	15	35.56	38.90	26	63.50	66.84	37	91.44	94.78
05	10.16	13.50	16	38.10	41.44	27	66.04	69.38	38	93.98	97.32
06	12.70	16.04	17	40.64	43.98	28	68.58	71.92	39	96.52	99.86
07	15.24	18.58	18	43.18	46.52	29	71.12	74.46	40	99.06	102.40
08	17.78	21.12	19	45.72	49.06	30	73.66	77.00			
09	20.32	23.66	20	48.26	51.60	31	76.20	79.54			
10	22.86	26.20	21	50.80	54.14	32	78.74	82.08			
11	25.40	28.74	22	53.34	56.68	33	81.28	84.62			
12	27.94	31.28	23	55.88	59.22	34	83.82	87.16			

Ordering Information

0161 - X 1 0 3

1: Tin
 2: Gold
 3: Half Gold

X X 0

Position